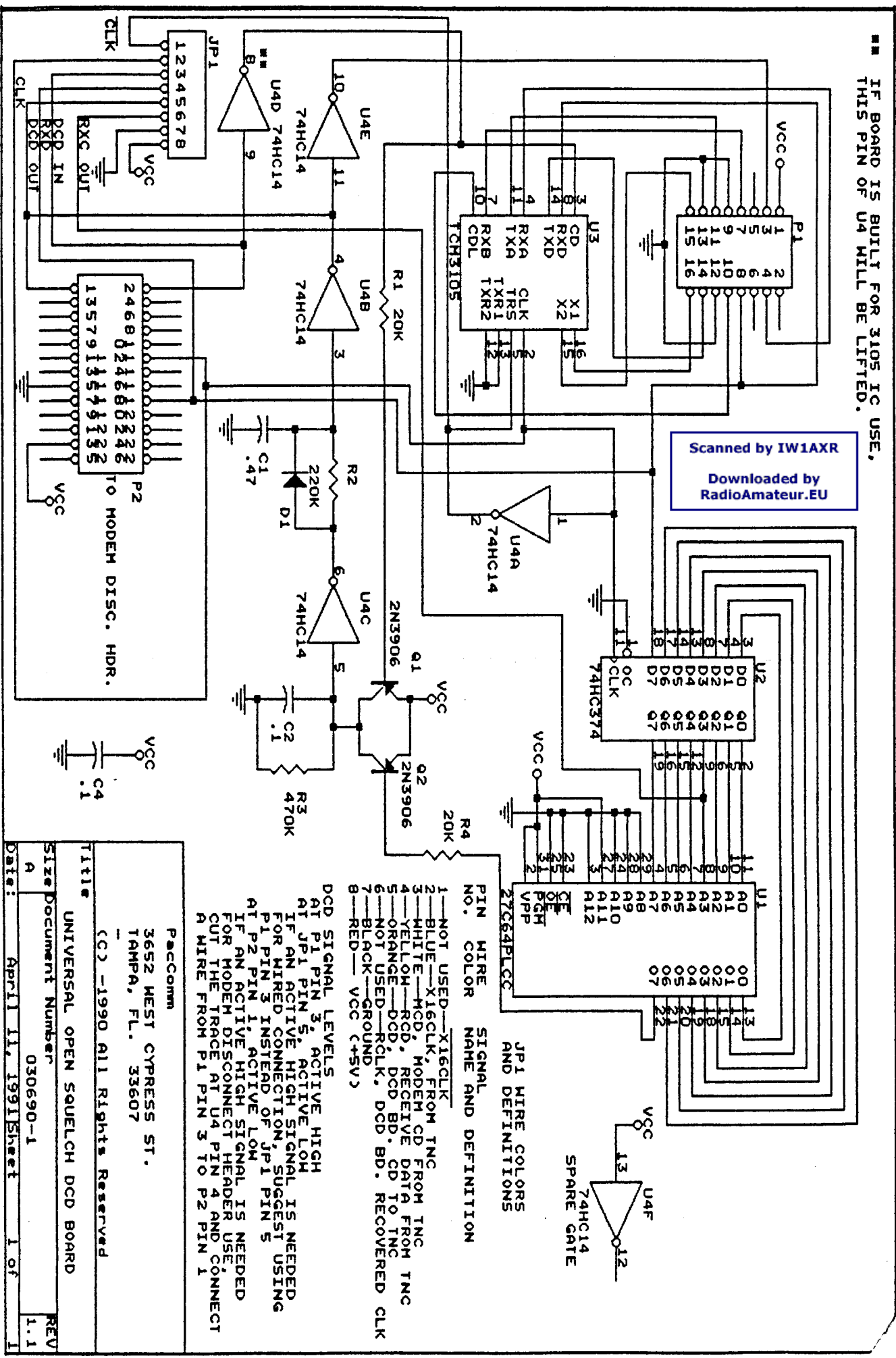


IF BOARD IS BUILT FOR 3105 IC USE, THIS PIN OF U4 WILL BE LIFTED.

Scanned by IW1AXR
Downloaded by RadioAmateur.EU

DCD x Tiny e DFH TNC



J1 WIRE COLORS AND DEFINITIONS

- 1 - NOT USED - X16CLK
- 2 - BLUE - X16CLK, FROM TNC
- 3 - WHITE - MCD, MODEM CD FROM TNC
- 4 - YELLOW - RCD, RECEIVE DATA FROM TNC
- 5 - ORANGE - DCD, DCD BD. CD TO TNC
- 6 - NOT USED - RCLK, DCD BD. RECOVERED CLK
- 7 - BLACK - GROUND
- 8 - RED - VCC (+5V)

DCD SIGNAL LEVELS
 AT P1 PIN 3, ACTIVE HIGH
 AT P1 PIN 5, ACTIVE LOW
 IF AN ACTIVE HIGH SIGNAL IS NEEDED FOR WIRE CONNECTION, SUGGEST USING P1 PIN 3 INSTEAD OF JP1 PIN 5
 AT P2 PIN 1, ACTIVE LOW
 IF AN ACTIVE HIGH SIGNAL IS NEEDED FOR THE MODEM DISCONNECT HEADER USE CUT THE TRACE AT U4 PIN 4 AND CONNECT A WIRE FROM P1 PIN 3 TO P2 PIN 1

PacComm
 3652 WEST CYPRESS ST.
 TAMPA, FL. 33607

(C) -1990 All Rights Reserved

UNIVERSAL OPEN SQUELCH DCD BOARD

Title UNIVERSAL OPEN SQUELCH DCD BOARD
 Size Document Number 030690-1
 A
 Date: April 11, 1991 Sheet 1 of 1

REV 1.1

5) Remove the backing from the exposed side of the tape and attach the DCD board to a convenient location.

6) Reinstall the packet controller board in the case.

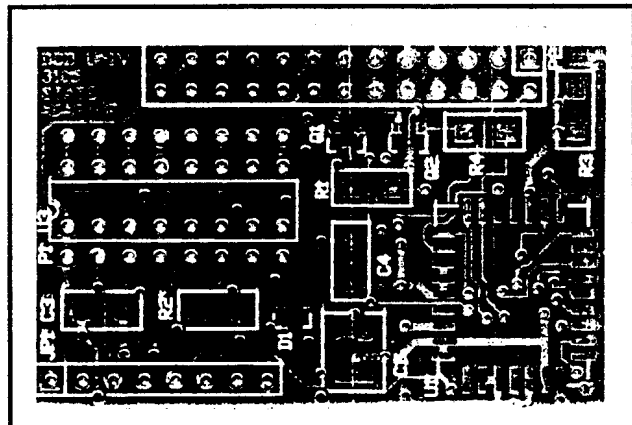
The connections to the DCD-UNIV Board are as follows:

Required Signal	Wire Color
Vcc (+5v)	Red
Ground	Black
Clock, 16 x baud rate	Blue
RXD: Data output of analog modem	Yellow
MCD: Carrier detect from analog modem	White
DCD: Carrier detect into HDLC	Orange

Enlarged layout of circuit board of all models of the DCD Adapter.

Header socket attaches here
for the DCD-Header model.

Pins attach here on the bottom of
the board and the TCM-3105
socket installs on the top of the
board for the DCD-3105 model.



Wires attach here at JP1
for Universal Model.